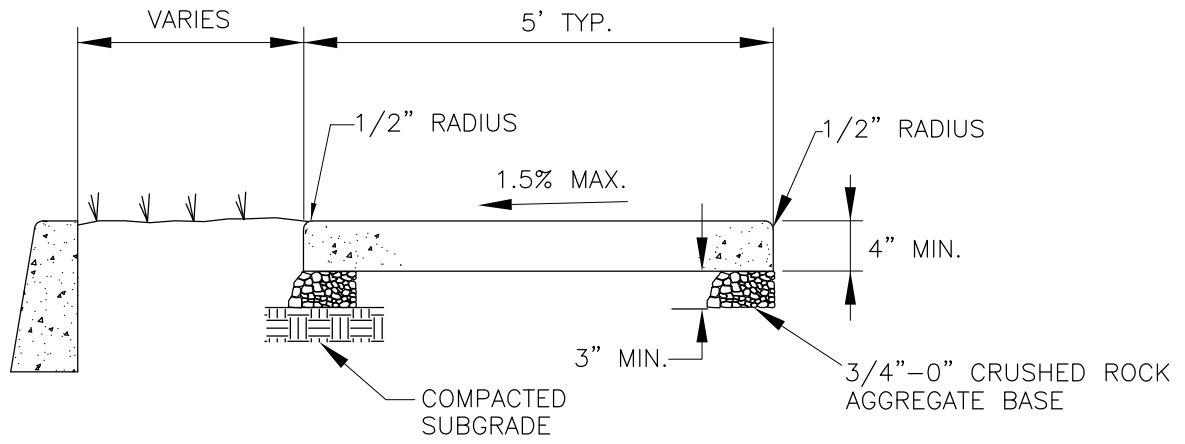


PLAN



PROFILE

NOTES:

1. PORTLAND CEMENT CONCRETE SHALL ATTAIN A 28-DAY COMPRESSIVE STRENGTH OF 3300 P.S.I.
2. CONTRACTION JOINTS SHALL BE PLACED SO AS TO MAKE SQUARE BLOCKS FOR WALKS UP TO 8' WIDE AND ALSO AT ALL CHANGES IN DIRECTION AND POINTS OF CURVATURE. JOINT SHALL BE 1/8" TO 1/4" WIDE WITH A MINIMUM DEPTH OF 1/3 OF THE CONCRETE THICKNESS.
3. ISOLATION JOINTS SHALL BE PLACED AT CONNECTIONS TO EXISTING SIDEWALK, EDGES OF DRIVEWAYS AND ALL STRUCTURES WITHIN SIDEWALK. JOINTS SHALL CONSIST OF A PREFORMED FILLER MATERIAL WITH MINIMUM 1/2" THICKNESS.



City of Astoria
Public Works Department
 1095 Duane Street

Sidewalk Detail

Date Adopt. 11/01/12 **Date Rev.** 06/20/18

Dwg. Name: ST-3 Sidewalk.dwg

DWG. NO.

ST-3